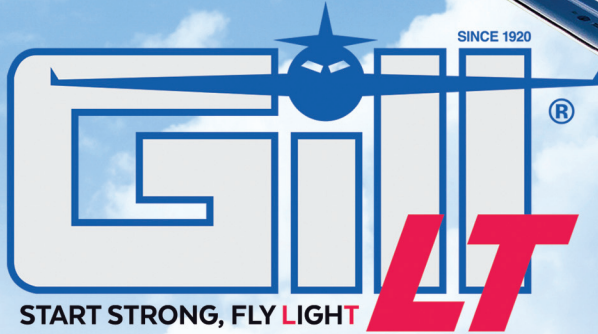


INNOVATION

7243-16

Sealed Aircraft Battery, VRLA, LT Technology, 24V, 16Ah



SPECIFICATIONS			
Model	7243-16		
Nominal Voltage, V	24		
One Hour Capacity, C1, Ah	16		
30 Minute Emergency Rate, C/2, A	25		
Weight, Lb. Maximum	29.90		
Power Performance	23°C (75°F)	-18°C (0°F)	-30°C (-22°F)
I _{pp} , A	1100	640	495
I _{pr} , A	480	300	250



7243-16
AVAILABLE NOW,
AT DISTRIBUTORS

Upgrade to the Next Generation of Lead-Acid Technology!

- ✓ TSO Authorized
- ✓ DO-160E Tested
- ✓ Sealed, VRLA, Non-Spillable
- ✓ 18 Month/1800 Hour Capacity Check Inspection
- ✓ 2 Year Warranty
- ✓ FAA-PMA



TELEDYNE BATTERY PRODUCTS
Everywhere you look[®]

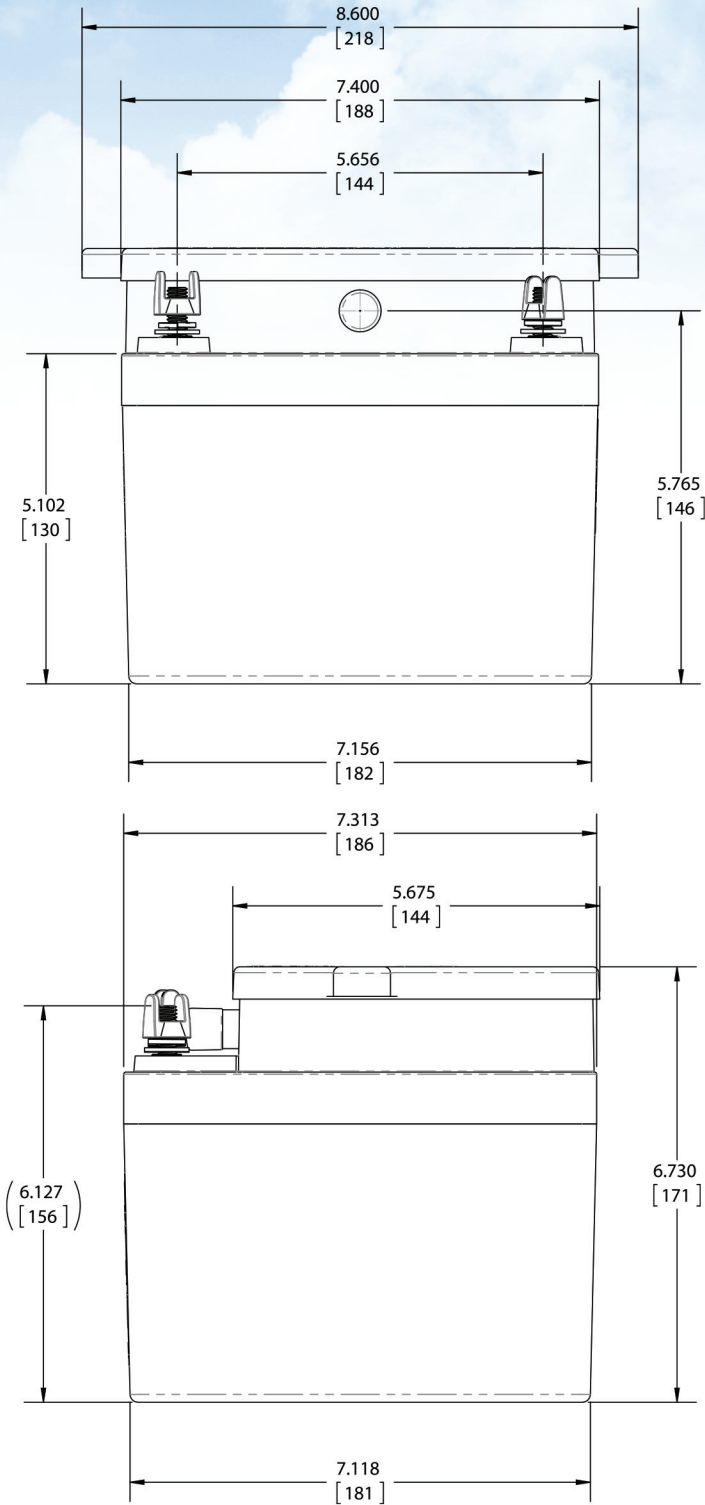
909.793.3131

GILLBATTERIES.COM

Rev 2018/5/3

7243-16

AVAILABLE NOW AT DISTRIBUTORS



FAA-PMA

MAKE	MODEL
Cessna	152, A152, 172N, 172P, 172Q, 172R, 172RG, 172S, F172N, F172P, FR172K, R172K, 182, 182S, 182T, R182, T182, T182T, TR182, A188B, P210N, T303
Cirrus	SR20, SR22, SR22T
CPAC Inc.	114B, 114TC
Diamond	DA 40, DA 42
Maule	M-4-180V, M-5-180C, M-5-235C, M-6-180, M-6-235, M-7-235, M-7-235A, M-7-235B, M-7-235C, M-7-260, M-7-260C, M-8-235, MT-7-235, MT-7-260, MX-7-160, MX-7-160C, MX-7-180, MX-7-180A, MX-7-180AC, MX-7-180B, MX-7-180C, MX-7-235, MXT-7-160, MXT-7-180, MXT-7-180A
Mooney	M20J, M20K, M20L, M20M, M20R, M20S, M20TN
Piper	PA-28-161, PA-28-181, PA-32-301FT, PA-32R-301(SP), PA-32R-301(HP), PA-32R-301T, PA-32-301XTC, PA-46-350P, PA-46R-350T
True Flight Holdings LLC	AA-5, AA-5A, AA-5B, AG-5B

No STC's or modifications required for any of the models listed